



LEFROY BROOKS

1 8 2 8 T R O U T M A N S T R E E T
R I D G E W O O D N E W Y O R K N Y 1 1 3 8 5 U S A
T: +1(718) 302 5292 F: +1(718) 302 4177

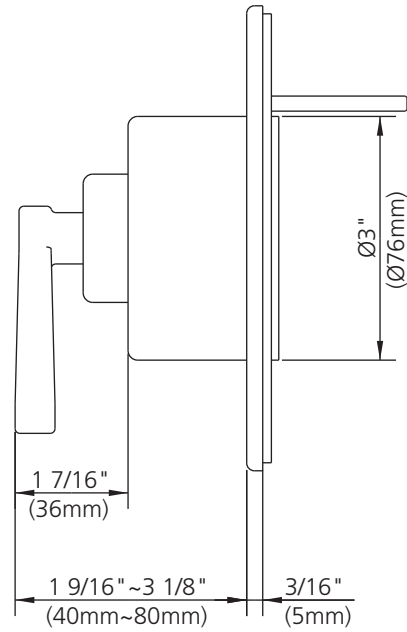
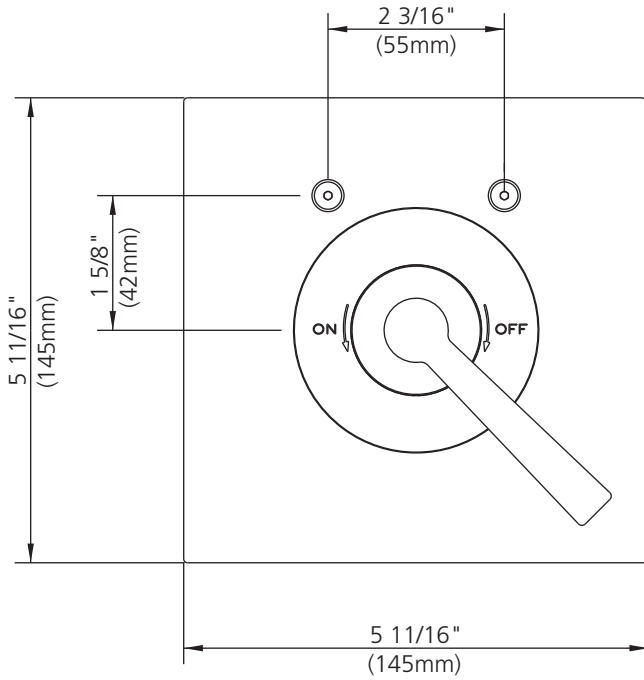
M2-4301

FLEETWOOD SINGLE LEVER PRESSURE BALANCE TRIM ONLY, TO
SUIT M1-4100 ROUGH

DIMENSIONAL DATA SHEET

DATE: 12 SEP 2014

No: A66F329



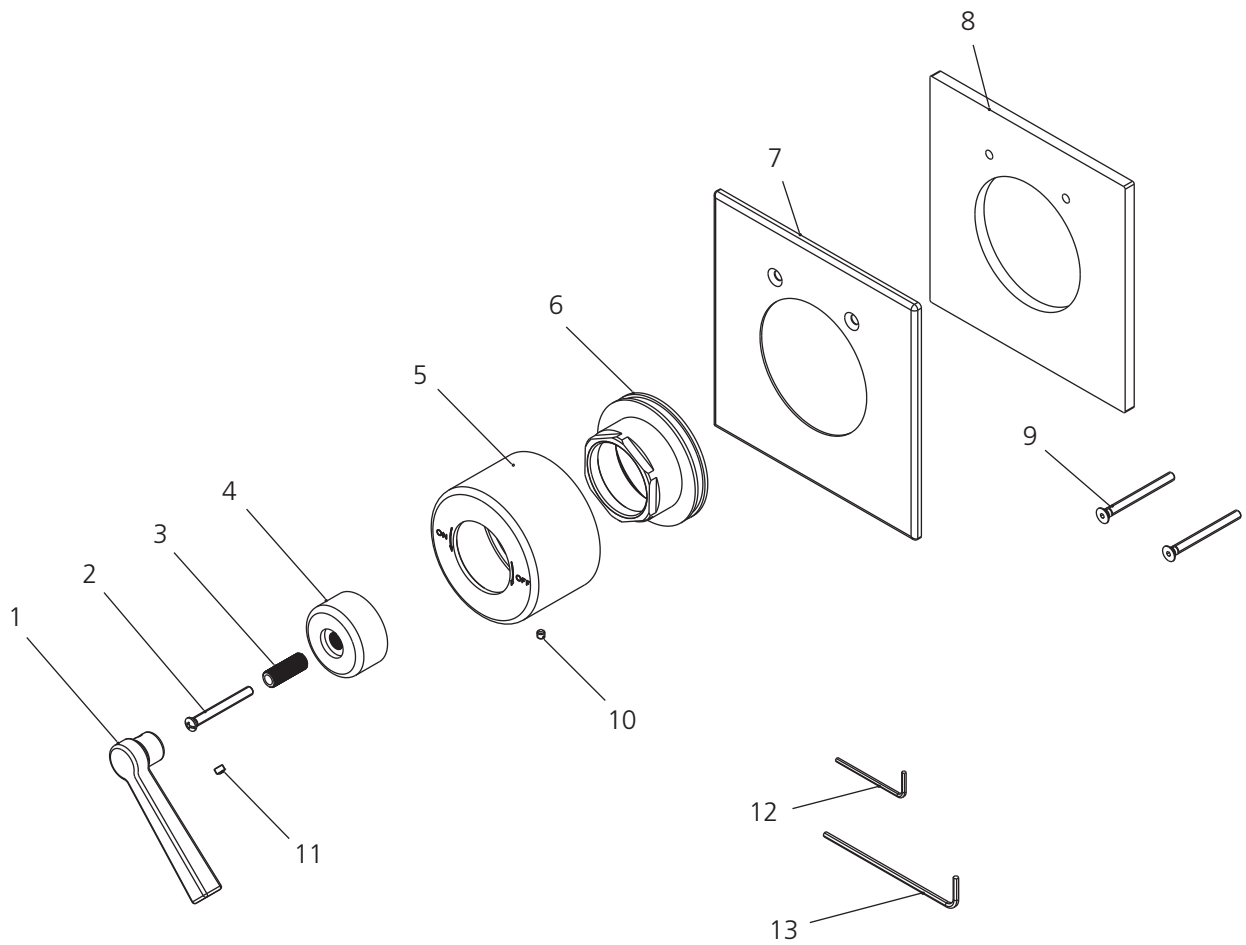
COPYRIGHT © LBIP LTD 2012. ALL RIGHTS RESERVED.

DIMENSIONS IN INCHES & MILLIMETRES

WHILST EVERY EFFORT IS MADE TO ENSURE THE ACCURACY OF THESE DATA SHEETS THEY ARE SUBJECT TO CHANGE WITHOUT NOTICE AS PART OF THE COMPANY'S PRODUCT DEVELOPMENT PROCESS

M2-4301

FLEETWOOD SINGLE LEVER PRESSURE BALANCE TRIM ONLY, TO SUIT M1-4100 ROUGH



1	Handle (029686)	6	Adjusting ring (104292)	11	Set screw (292598)
2	Screw (008115)	7	Front plate (006227)	12	Allen key (031003)
3	Stem extension (110389)	8	Seal (013119)	13	Allen key (031220)
4	Canopy (018961)	9	Screw (008186)		
5	Escutcheon (018959-54)	10	Set screw (065086)		

Standards

IAPMO/cUPC Listed
Meets A112.18.1
ADA Compliant

Please note :

Final achievable flow rate is dependent on the outlets fitted, see relevant outlets (spouts, roses, sprays) for fully assembled product flow rate.